

isc Silicon NPN Power Transistors

BDT81/83/85/87

DESCRIPTION

- DC Current Gain $-h_{FE} = 40(\text{Min}) @ I_C = 5A$
- Collector-Emitter Sustaining Voltage-
: $V_{CEO(\text{SUS})} = 60V(\text{Min})$ - BDT81; $80V(\text{Min})$ - BDT83;
 $100V(\text{Min})$ - BDT85; $120V(\text{Min})$ - BDT87
- Complement to Type BDT82/84/86/88

APPLICATIONS

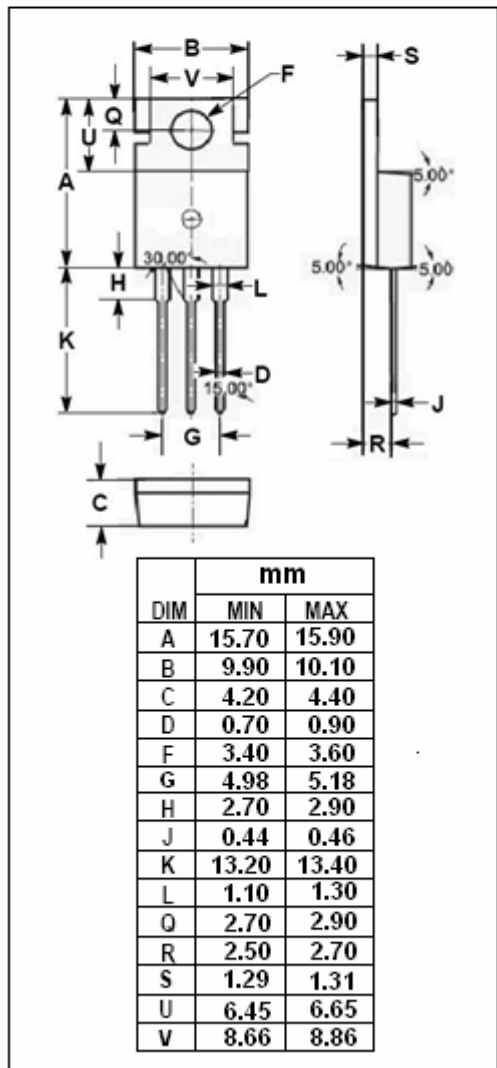
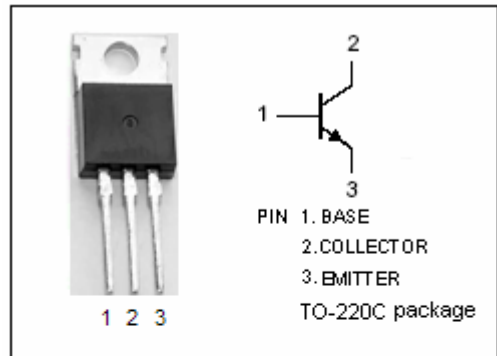
- Designed for use in audio output stages and general amplifier and switching applications

ABSOLUTE MAXIMUM RATINGS($T_a=25^\circ\text{C}$)

SYMBOL	PARAMETER	VALUE	UNIT	
V_{CBO}	Collector-Base Voltage	BDT81	60	V
		BDT83	80	
		BDT85	100	
		BDT87	120	
V_{CEO}	Collector-Emitter Voltage	BDT81	60	V
		BDT83	80	
		BDT85	100	
		BDT87	120	
V_{EBO}	Emitter-Base Voltage	7	V	
I_C	Collector Current-Continuous	15	A	
I_{CM}	Collector Current-Peak	20	A	
I_B	Base Current	4	A	
P_C	Collector Power Dissipation $T_C=25^\circ\text{C}$	125	W	
T_j	Junction Temperature	150	$^\circ\text{C}$	
T_{stg}	Storage Temperature Range	-65~150	$^\circ\text{C}$	

THERMAL CHARACTERISTICS

SYMBOL	PARAMETER	MAX	UNIT
$R_{th\ j-c}$	Thermal Resistance, Junction to Case	1	$^\circ\text{C/W}$
$R_{th\ j-a}$	Thermal Resistance, Junction to Ambient	70	$^\circ\text{C/W}$



isc Silicon NPN Power Transistors

BDT81/83/85/87

ELECTRICAL CHARACTERISTICS

 $T_C=25^\circ\text{C}$ unless otherwise specified

www.dataSheet4U.com

SYMBOL	PARAMETER	CONDITIONS	MIN	TYP.	MAX	UNIT
$V_{CE(sus)}$	Collector-Emitter Sustaining Voltage	BDT81	60			V
		BDT83				
		BDT85				
		BDT87				
		$I_C=30\text{mA}; I_B=0$				
$V_{CE(sat)-1}$	Collector-Emitter Saturation Voltage	$I_C=5\text{A}; I_B=0.5\text{A}$			1.0	V
$V_{CE(sat)-2}$	Collector-Emitter Saturation Voltage	$I_C=7\text{A}; I_B=0.7\text{A}$			1.6	V
$V_{BE(on)}$	Base-Emitter On Voltage	$I_C=5\text{A}; V_{CE}=4\text{V}$			1.5	V
I_{CES}	Collector Cutoff Current	$V_{CE}=0.8V_{CB0max}; V_{BE}=0$			1	mA
I_{CBO}	Collector Cutoff Current	$V_{CB}=V_{CB0max}; I_E=0$			0.2	mA
I_{EBO}	Emitter Cutoff Current	$V_{EB}=7\text{V}; I_C=0$			0.1	mA
h_{FE-1}	DC Current Gain	$I_C=50\text{mA}; V_{CE}=10\text{V}$	40			
h_{FE-2}	DC Current Gain	$I_C=5\text{A}; V_{CE}=4\text{V}$	40			
f_T	Current-Gain—Bandwidth Product	$I_C=0.5\text{A}; V_{CE}=10\text{V}$		10		MHz

Switching Times

t_{on}	Turn-On Time	$I_C=7\text{A}; I_{B1}=-I_{B2}=0.7\text{A}$			1	μs
t_{off}	Turn-Off Time				2	μs